

## GP1800

GP SERIES  
Commercial/Residential  
Portable Generators

A/C Rated Output Watts: 1800  
A/C Maximum Output Watts: 2050

Model 5981-0

UPC Number: 696471059816  
Emissions Certification: 49/CSA



### features

- OHV SPLASH LUBRICATION
- HIGH PERFORMANCE ALTERNATOR
- STEEL FUEL TANK WITH FUEL GAUGE
- HARDENED STEEL TUBE CRADLE
- CIRCUIT BREAKER PROTECTED OUTLETS
- LOW TONE MUFFLER

### customer connections

Connection Outlets

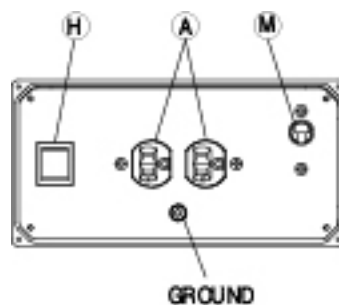
A (2) 5-20R 120V

Circuit Breakers

M (1) 15A

Other Features

H Off/On/Start Switch



# GP1800

## specifications

Product Series	GP1800
Model	5981-0
Configuration/Emissions	49/CSA
A/C Rated Output Watts:	1800
A/C Maximum Output Watts:	2050
A/C Voltage	120VAC
A/C Frequency	60 Hz
Rated 120/240 VAC Amperage	15
Max 120/240 VAC Amperage	17
Engine Displacement	168cc
Engine Type	OHV
Engine RPM	3600
Recommended Oil	SAE30
Lubrication Method	Splash Sump
Choke Type	Manual Lever
Fuel Shut Off	Manual Lever
Idle Control	No
Starting Method	Manual
Battery	N/A
Battery Size	N/A
Low Oil Shutdown Method	Low Level

Start Switch Type	On/Off Toggle
Switch Location	On Control Panel
Single-Point Lifting Eye	N/A
Fuel Gauge	Built-in Tank
Fuel Tank Capacity (Gal)	3.50
Fuel Tank Capacity (Ltrs)	13.24
Run Time at 50% (Hours)	10.50
Cord Set	N/A
Handle Style	N/A
Wheel type	N/A
Maintenance Kit	Sold Separately
Warranty - Residential	2 Year
Warranty - Commercial	1 Year

## dimensions and weights

Length (L)	23.0
Width (W)	17.0
Height (H)	23.0
Extended Length (EL)	23.0
Carton Length	23.3
Carton Width	17.3
Carton Height	18.0
Unit Weight (lbs)	84.0
Shipping Weight (lbs)	88.5

