

XT8000E

GENERAC®

XT SERIES Commercial/Residential Portable Generators

XT8000E

1 of 2

Features

- **The Generac OHV engine** with splash lubrication provides a long engine life.
- **Idle Control** reduces noise and conserves fuel for extended run-times.
- **Low-oil level shutdown** automatically safeguards engine from damage.
- **PowerBar™** easily monitors power usage.
- **Hour meter** tracks usage and monitors maintenance cycles.
- **Large-capacity steel fuel tank** with incorporated fuel gauge provides durability and extended run times.
- **Covered outlets** provides added protection from the environment and rugged working conditions.
- **Full-wrap, heavy-duty, 1 1/4" steel tube cradle** for added durability and strength.
- **All-terrain, never flat wheels and fold-down locking handle** for reliable portability and compact storage.
- **Single touch electric start** provides hassle-free start-up, battery included. On-control panel plug-in battery charger jack keeps battery charged.
- **20ft cord included.** Use the four outlet cord to plug in more.
- **Controlguard™** provides added protection to the control panel.
- **First oil and maintenance kit included.**

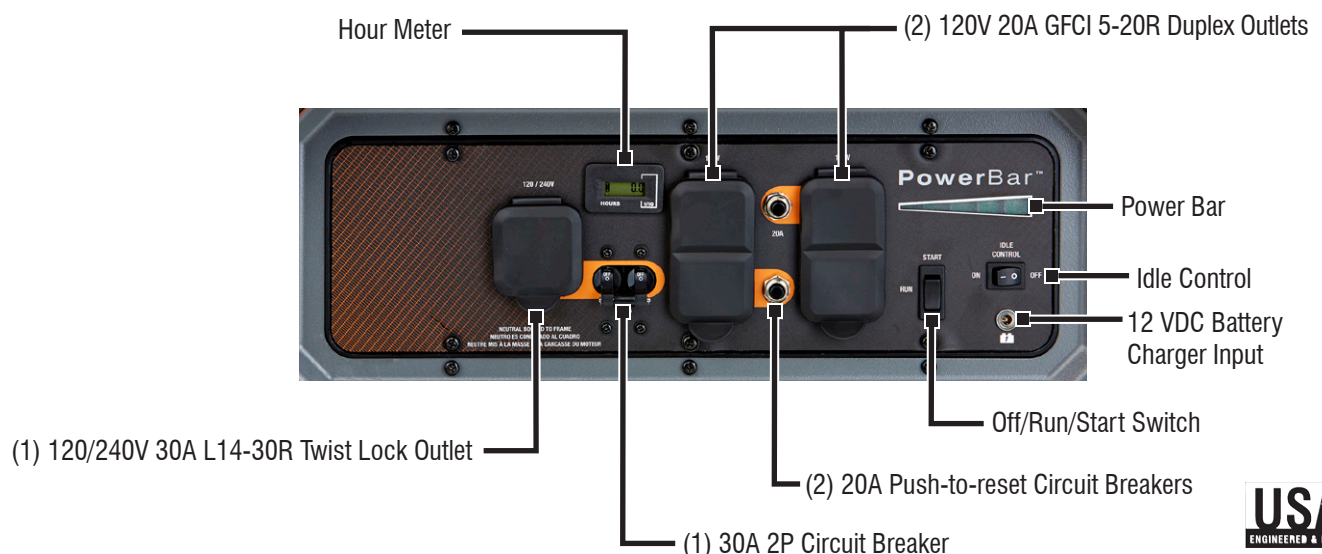
Model 6433-0 UPC: 696471064339
(EPA/49-State/CSA-Canada)

Model 6434-0 UPC 696471064346
(EPA/CARB-California)



AC Rated Output Running Watts 8000
AC Maximum Output Starting Watts 10000

49-State/CSA Control Panel



XT8000E

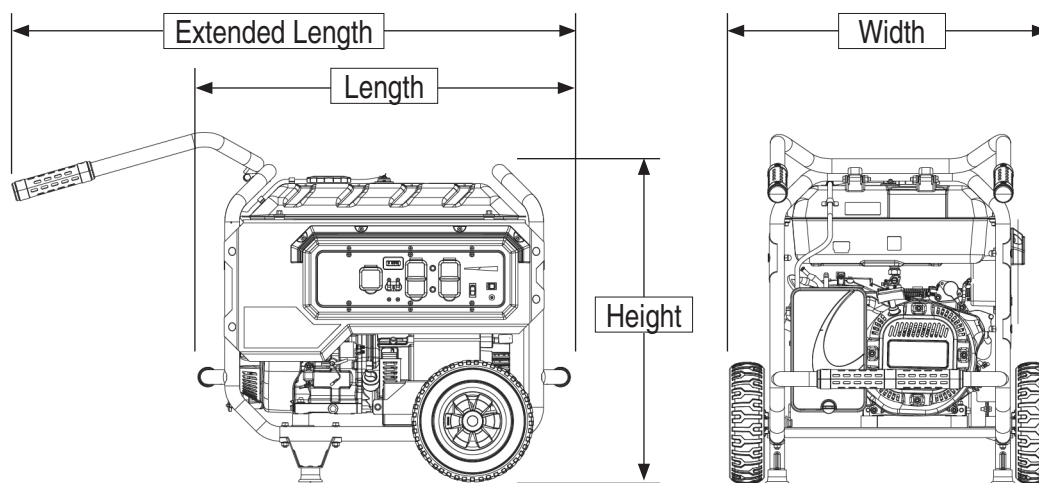
Specifications

| | |
|------------------------------------|--|
| Product Series | XT8000E |
| Model (Configuration) | 6433-0 (EPA/49-State/CSA-Canada) 6434-0 (EPA/CARB-California) |
| AC Rated Output Running Watts | 8000 |
| AC Maximum Output Starting Watts | 10000 |
| Rated AC Voltage | 120/240 VAC |
| Rated AC Frequency | 60 Hz |
| Rated 120/240 VAC Amperage | 66.6/33.3 |
| Max 120/240 VAC Amperage | 83.3/41.6 |
| Engine Displacement | 420cc |
| Engine Type | OHV |
| Engine RPM | 3600 |
| Recommended Oil | 10W-30 / SAE 30 |
| Lubrication Method | Splash |
| Automatic Voltage Regulation (AVR) | Yes |
| Choke Location | On Engine |
| Fuel Shut Off | Under Fuel Tank |
| Starting Method | Electric/Recoil Pull Start |
| Battery | Yes |
| Battery Type | 12 VDC 10AH |
| Battery Wall Charger Adapter | Included |
| Low Oil Shutdown | Low Level |
| Neutral Bonded to Ground | Yes |

| | |
|-------------------------------|---------------------------|
| Start Switch Type | Off/Run/Start |
| Switch Location | On Control Panel |
| Fuel Gauge | Built-in Tank |
| Fuel Tank Capacity Gal (Ltrs) | 7.5 (28.4) |
| Run Time at 50% (Hours) | 11 |
| Handle Style | Single Folding |
| Wheel Type | 10" (254 mm) Solid Wheels |
| Maintenance Kit | Included |
| Warranty- Residential | 2 Year |
| Warranty- Commercial | 1 Year |

Dimensions and Weights

| | |
|--------------------------|---------------|
| Length in (mm) | 32.7 (830) |
| Width in (mm) | 27.6 (700) |
| Height in (mm) | 27.7 (703) |
| Extended Length in (mm) | 47.7 (1212) |
| Carton Length in (mm) | 32.4 (822) |
| Carton Width in (mm) | 21.35 (542) |
| Carton Height in (mm) | 28.6 (726) |
| Unit Weight lbs (kg) | 207 (94.1) |
| Shipping Weight lbs (kg) | 229.5 (104.3) |



Generac Power Systems, Inc. • P.O. Box 8, Waukesha, WI 53187 • generac.com

©2013 Generac Power Systems, Inc. All rights reserved. All specifications are subject to change without notice. Bulletin 0K4994-A / Printed in U.S.A. 08/19/13