

# XG6400E

## XG SERIES Commercial/Residential Portable Generators

### Features

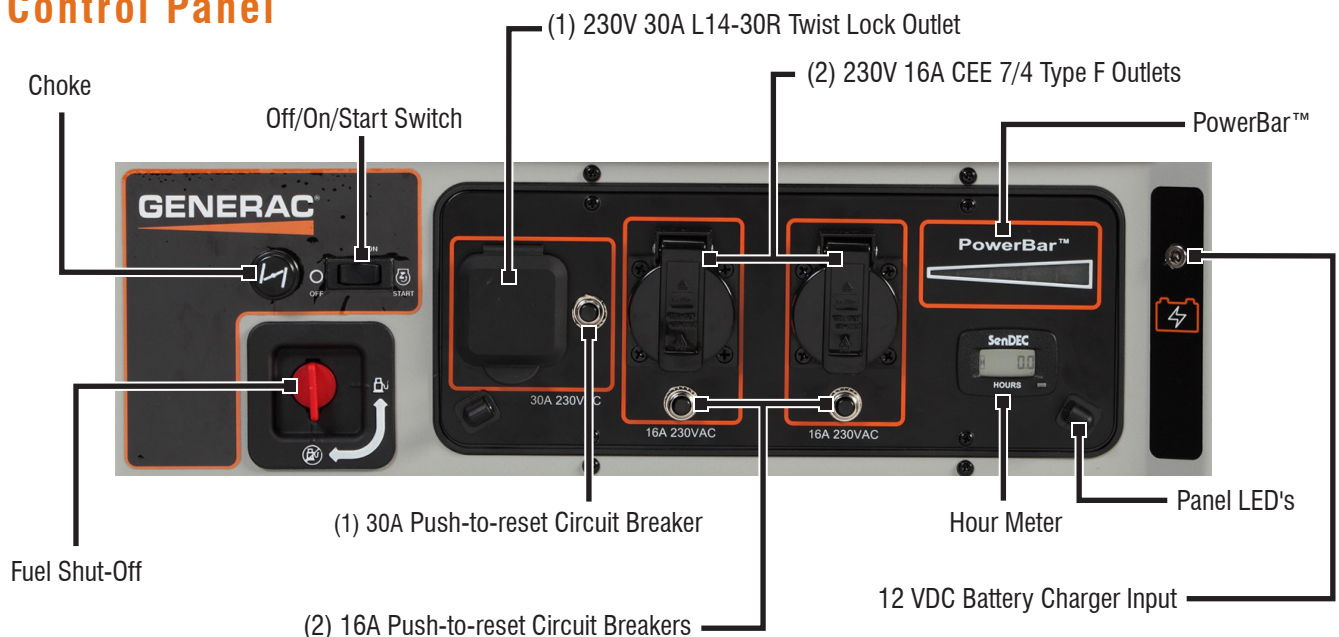
Model 6221-0 UPC: 696471062212 (GOST-R)

- **Generac OHVI® engine** provides full-pressure lubrication with automatic low-oil pressure shut down.
- **Illuminated LED control panel** for improved visibility.
- **Powerbar™** monitors power usage.
- **Engine controls located on control panel** for simple operation and easy start-up
- **One-touch automatic electric start** with external plug-in battery charger to keep battery charged and ready to go.
- **Full-wrap, heavy-duty frame tubing** provides strong, durable protection for rugged environments.
- **All-terrain, never flat wheels** for reliable portability.
- **Hour meter** with maintenance resets.
- **Covered outlets** provide added protection from the environment and adverse working conditions.
- **Low-oil pressure shutdown** automatically safeguards engine from damage.



**AC Rated Output Running Watts 6400**  
**AC Maximum Output Starting Watts 9600**

### Control Panel



# XG6400E

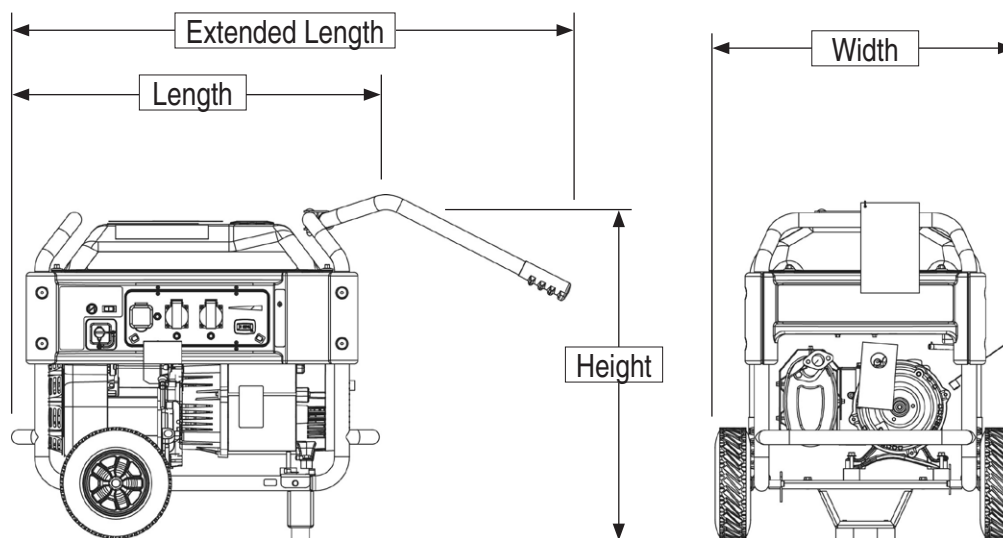
## Specifications

Product Series	XG6400E
Model	6221-0
Configuration/Emissions	GOST-R
AC Rated Output Running Watts:	6400
AC Maximum Output Motor Starting Watts:	9600
AC Voltage	230 VAC
AC Frequency	50 Hz
Rated VAC Amperage	27.8
Engine Displacement	407cc
Engine Type	OHVI
Engine RPM	3000
Recommended Oil	10W-30 / SAE30
Lubrication Method	Oil Pump
Automatic Voltage Regulation (AVR)	Yes
Choke Location	On Control Panel
Fuel Shut Off	On Control Panel
Starting Method	Electric/Recoil Pull Start
Battery	Included
Battery Type	12 VDC
Battery Wall Charger Adapter	Included
Low Oil Shutdown Method	Low Pressure

Start Switch Type	On/Off/Start
Switch Location	On Control Panel
Fuel Gauge	Built-in Tank
Fuel Tank Capacity - Liters (Gal)	34 (9)
Run Time at 50% (Hours)	10
Cord Set	1m Long 30A Twist-lock to 32A 230V Euro Connector
Handle Style	Fold-down locking
Wheel type mm (in)	241 (9.5) Semi-Solid
Maintenance Kit	Included
Warranty - Residential	2 Year Limited
Warranty - Commercial	1 Year Limited

## Dimensions and Weights

Length mm (in)	800 (31.5)
Width mm (in)	648 (25.5)
Height mm (in)	711 (28)
Extended Length mm (in)	1232 (48.5)
Carton Length (in)	838 (33)
Carton Width (in)	660 (26)
Carton Height (in)	610 (24)
Unit Weight kg (lb)	107 (235)
Shipping Weight kg (lb)	113 (250)



Generac Power Systems, Inc. • P.O. Box 8, Waukesha, WI 53187 • generac.com

©2013 Generac Power Systems, Inc. All rights reserved. All specifications are subject to change without notice. Bulletin 0196310-A / Printed in U.S.A. 09/23/13