

Automatic Transfer Switches

Pre-Wired Automatic Transfer Switch with Built-In Load Center

Model RXG10EZA1 – 50 Amp, 10 Circuit Switch
Model RXG16EZA1 – 85 Amp, 16 Circuit Switch
240 VAC, NEMA 1



Description

The Generac pre-wired switch is designed to operate with 9-16 kW air-cooled generators. This transfer switch has an integrated load center for picking up the emergency circuits. It is especially useful where the main service is large and only a portion of the building load will be served by the generator. It is available with a built-in 10 or 16 circuit load center to supply only those circuits that are essential during an emergency. All standard and load center transfer switches are cETL Listed.

Contactors Rating

The transfer switch contactor is rated at 240 VAC and is available in a single phase configuration only.

50-85 Amps, Single Phase

Pre-Wired Automatic Transfer Switch

Standard Features

All pre-wired switches are housed in a steel NEMA 1 enclosure, with electrostatically applied and baked powder paint. The Heavy Duty Generac Contactor is a ETL recognized device, designed for years of service. The controller at the generator handles all the timing, sensing and exercising functions. Multi listed for use with 1" standard, tandem*, GFCI and AFCI breakers from Siemens®, Murray®, Eaton®, and Square D® for the most flexible and cost effective install.

* 16-circuit only

- Electrically operated, mechanically-held contacts for fast, positive connections.
- Rated for all classes of load, 100% equipment rated, both inductive and resistive.
- 2 pole, 240 VAC contactors.
- 30 millisecond transfer time.
- Dual coil (85A) and single coil (50A) designs.
- Main contacts are silver plated or silver alloy to resist welding and sticking.
- NEMA 1 (indoor rated) enclosure is standard.
- 5 Year Limited Warranty.

Functions

All timing and sensing functions originate in the generator controller.

Utility Voltage Drop-out	<65%
Timer to Generator Start	10 Second Factory Set, Adjustable Between 2 - 1,500 Seconds by a Qualified Dealer*
Engine Warmup Delay	5 Seconds
Standby Voltage Sensor	65% for 5 Seconds
Utility Voltage Pickup	>80%
Re-transfer Time Delay	15 Seconds
Engine Cooldown Timer	60 Seconds
Exerciser	Nexus™: 12 Minutes Weekly Evolution™: 5 to 12 Minutes Adjustable, Weekly/Bi-weekly/Monthly
Auxiliary Lock Out Contact	Lock Out a Single Load or Annunciate Generator Transfer Status
The Transfer Switch can be Operated Manually Without Power Applied	

* When used in conjunction with units utilizing Evolution™ controls

Specifications

Model	RXG10EZA1	RXG16EZA1
Voltage	120/240, 1Ø	
Amps	50	85
Circuits, 50A, 240V	–	1
40A, 240V	–	1
30A, 240V	1	–
20A, 240V	1	1
20A, 120V	3	5
15A, 120V	3	5
Phase	1	
Rated AC Frequency	60 Hz	
Enclosure Material	Steel	
Enclosure Type	NEMA 1	
Withstand Rating (Amps)	10,000	
Lug Range	1/0 - #14	
Load Transition Type	Open Transition	
30' Whip Conductor Gauges (Hot, Neutral, Ground, Control)	8, 8, 10, 18	6, 6, 8, 18
Tandem Breaker Capabilities	None	8 Tandems

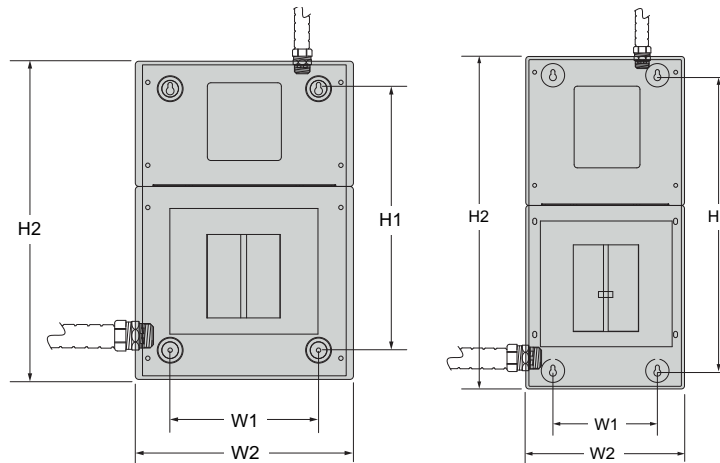
50-85 Amps, Single Phase

Pre-Wired Automatic Transfer Switch

Dimensions, Weight, and Wire Ranges

Model		RXG10EZA1	RXG16EZA1
Amps		50*	85
Height (in/cm)	H1	18.5 / 47	23.5 / 59.7
	H2	22.5 / 57.2	26.4 / 67.1
	H3	22 / 55.9	-
Width (in/cm)	W1	10.5 / 26.7	8.3 / 21.2
	W2	15.4 / 39.1	12.6 / 32
	W3	14.4 / 36.6	-
Depth (in/cm)		3.8 / 9.7	6.3 / 16
Weight (lbs/kg)		64 / 29	68 / 30.8
Wire Range	Conductor Lug	1/0 - #14	2/0 - #14
	Neutral Lug	2/0 - #14	2/0 - #14
	Ground Lug	2/0 - #14	2/0 - #14

*The 50 Amp switch is flush mountable. H1 and W1 refer to mounting hole spacing. H2 and W2 are cover dimensions. H3 and W3 (not shown in diagram) are the enclosure dimensions without cover.



50 Amp Switch

85 Amp Switch