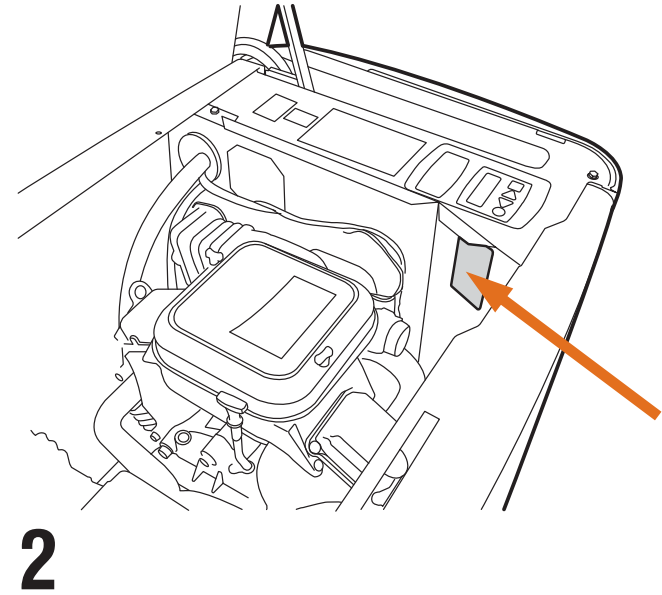
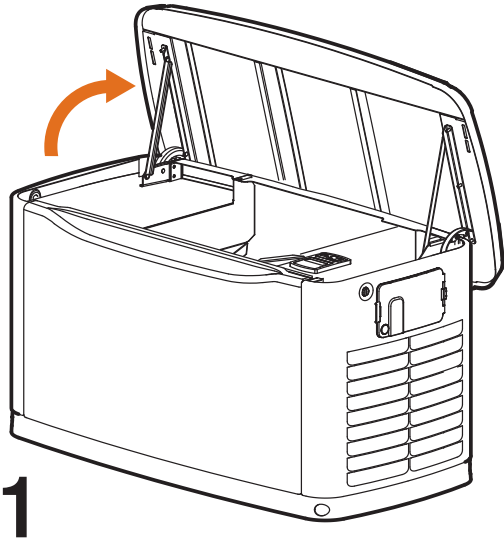


# Locate Your Serial Number

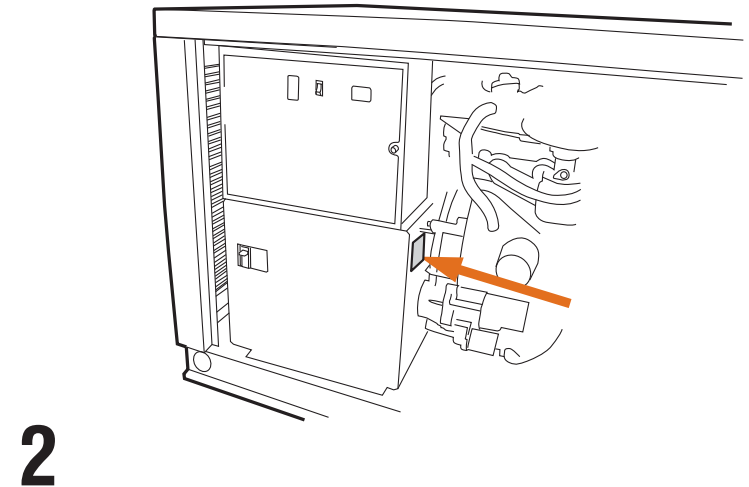
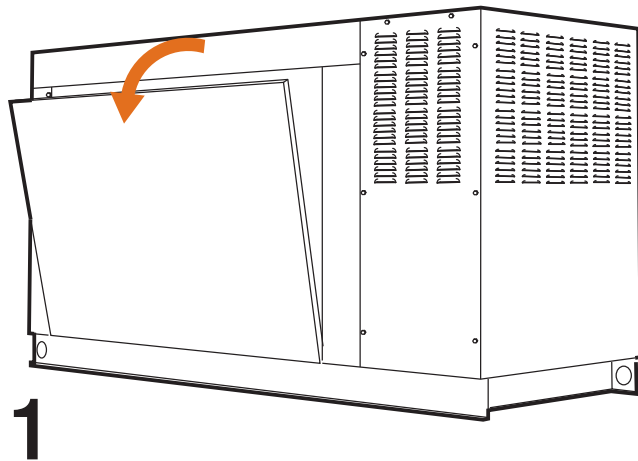
## RESIDENTIAL (AIR-COOLED)

8kW - 20kW



## COMMERCIAL (LIQUID-COOLED)

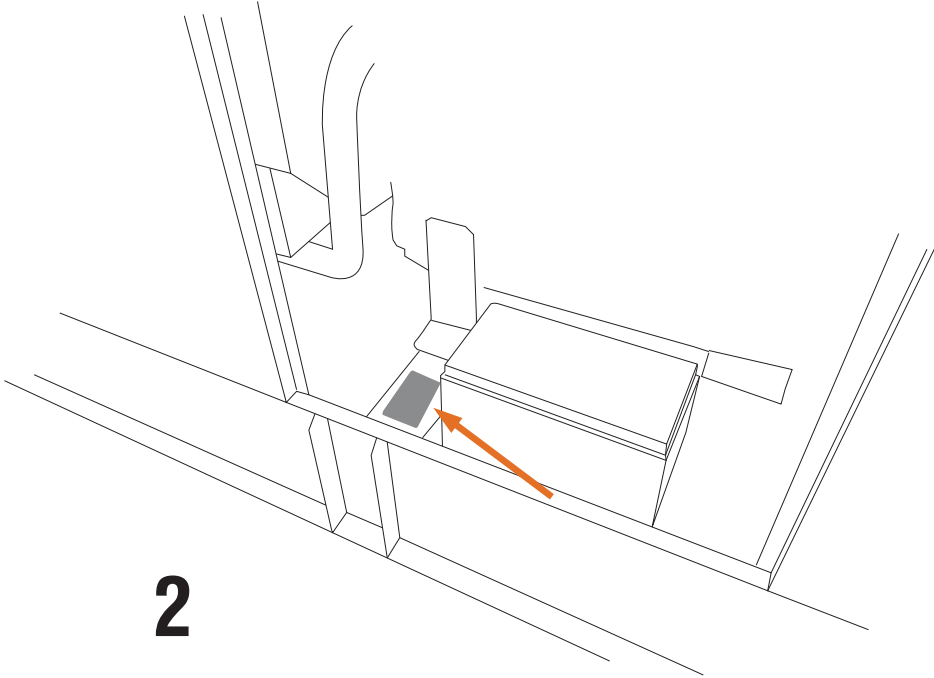
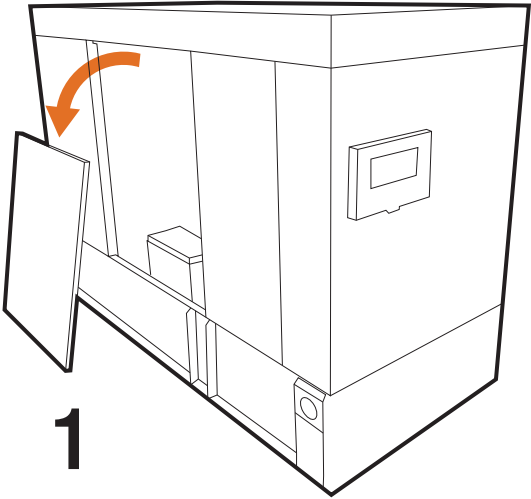
22kW - 60kW



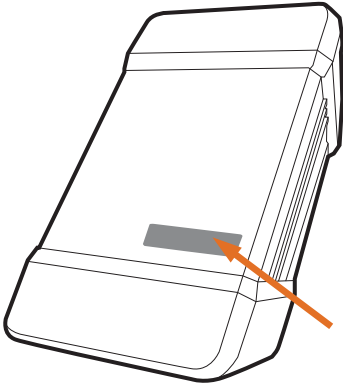
# Locate Your Serial Number

## PROTECTOR SERIES

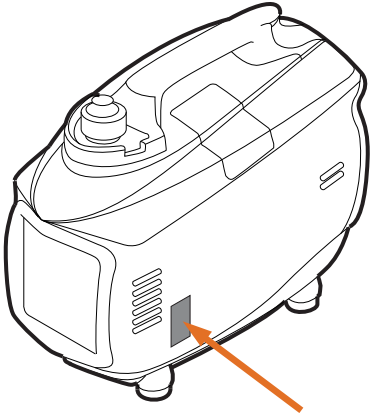
15kW - 50kW



## INVERTERS



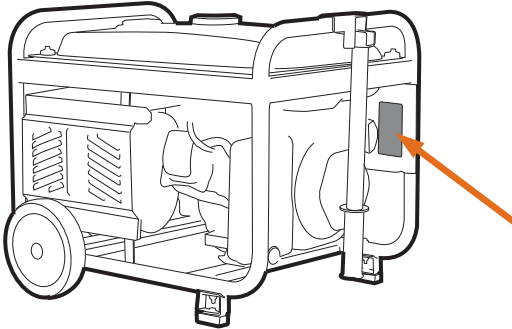
AC Inverter 100 - 750W



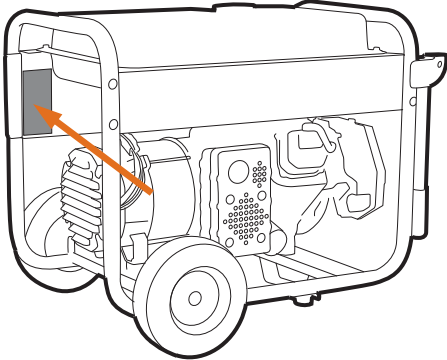
iX800 - iX2000

# Locate Your Serial Number

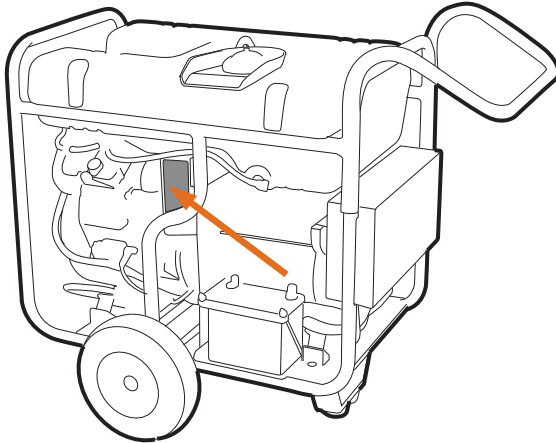
## PORTABLES



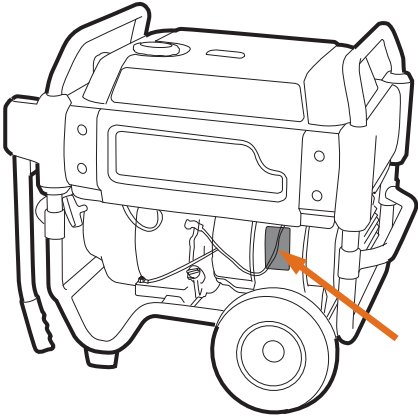
GP1800 - GP3300



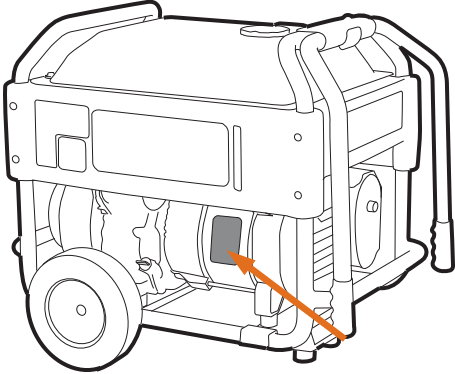
GP5000 - GP8000(E)



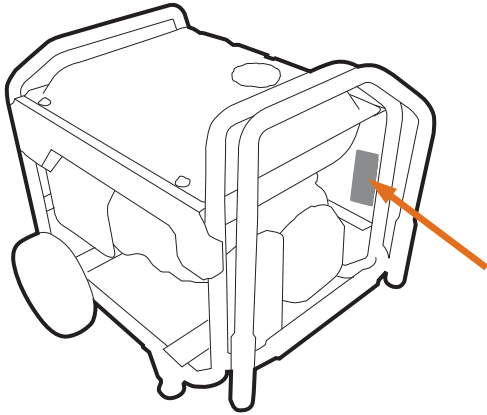
GP15000 - GP17500(E)



XP4000 - XP10000(E)



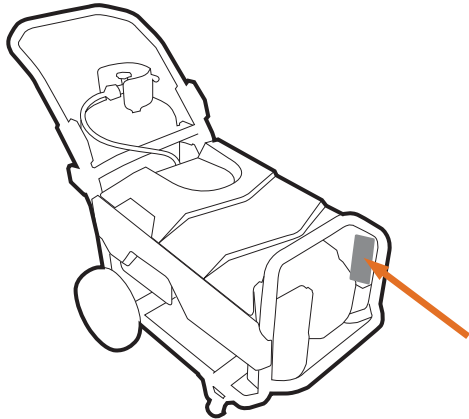
XG4000 - XG10000(E)



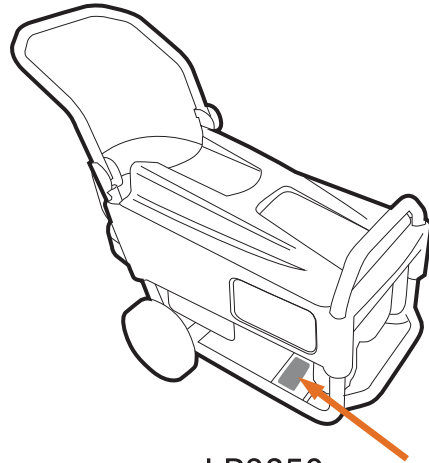
XT8000E

# Locate Your Serial Number

## PORTABLES



LP5000



LP3250